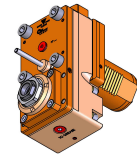


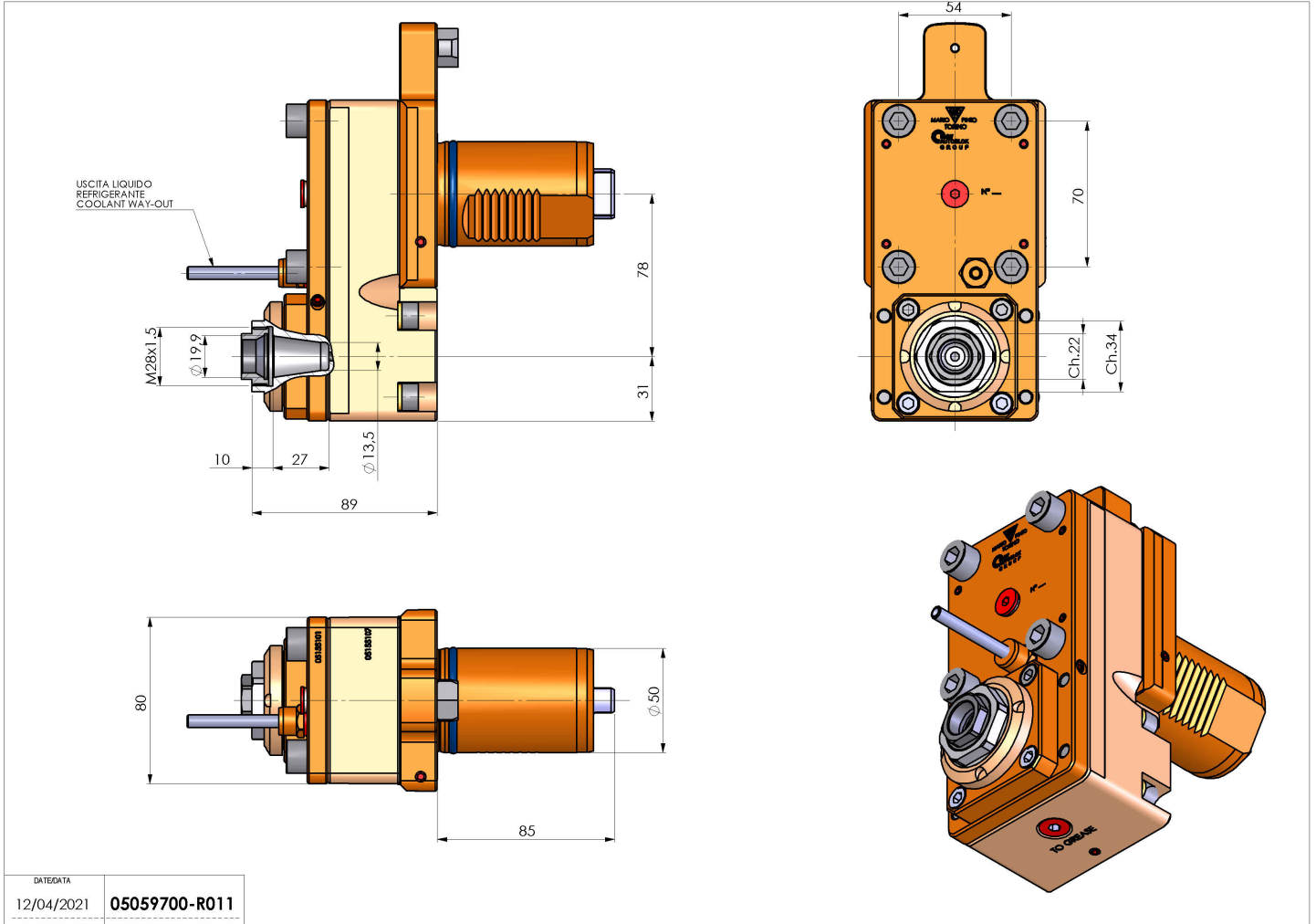
05059700 - LT-S VDI50ER20F OFS78 L 1:3H89

Type	LT-S OFS Tool holder straight offset
Mounting	VDI 50
Tool output	Collet nut ER 20 F - internal nut
Coolant	External coolant
Offset [mm]	47,25
Direction of rotation	r1 r2
Max speed [rpm]	in 5000 / out 15000
Max torque [Nm]	in 50 / out 14
Ratio	1:3
H [mm]	91,5
Accessories	N.A.
Notes	N.A.
Mounting tips	N.A.



ATTENTION: CHECK THE ORIENTATION OF THE VDI TEETH

Always check live tool dimensions on the turret



DATE/GATA	12/04/2021
PART NUMBER	05059700-R011

Subject to technical changes