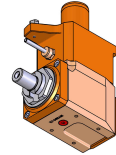


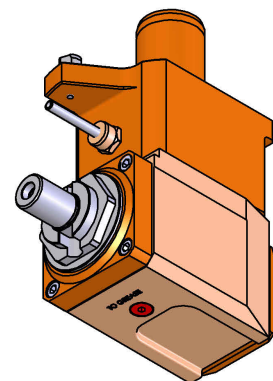
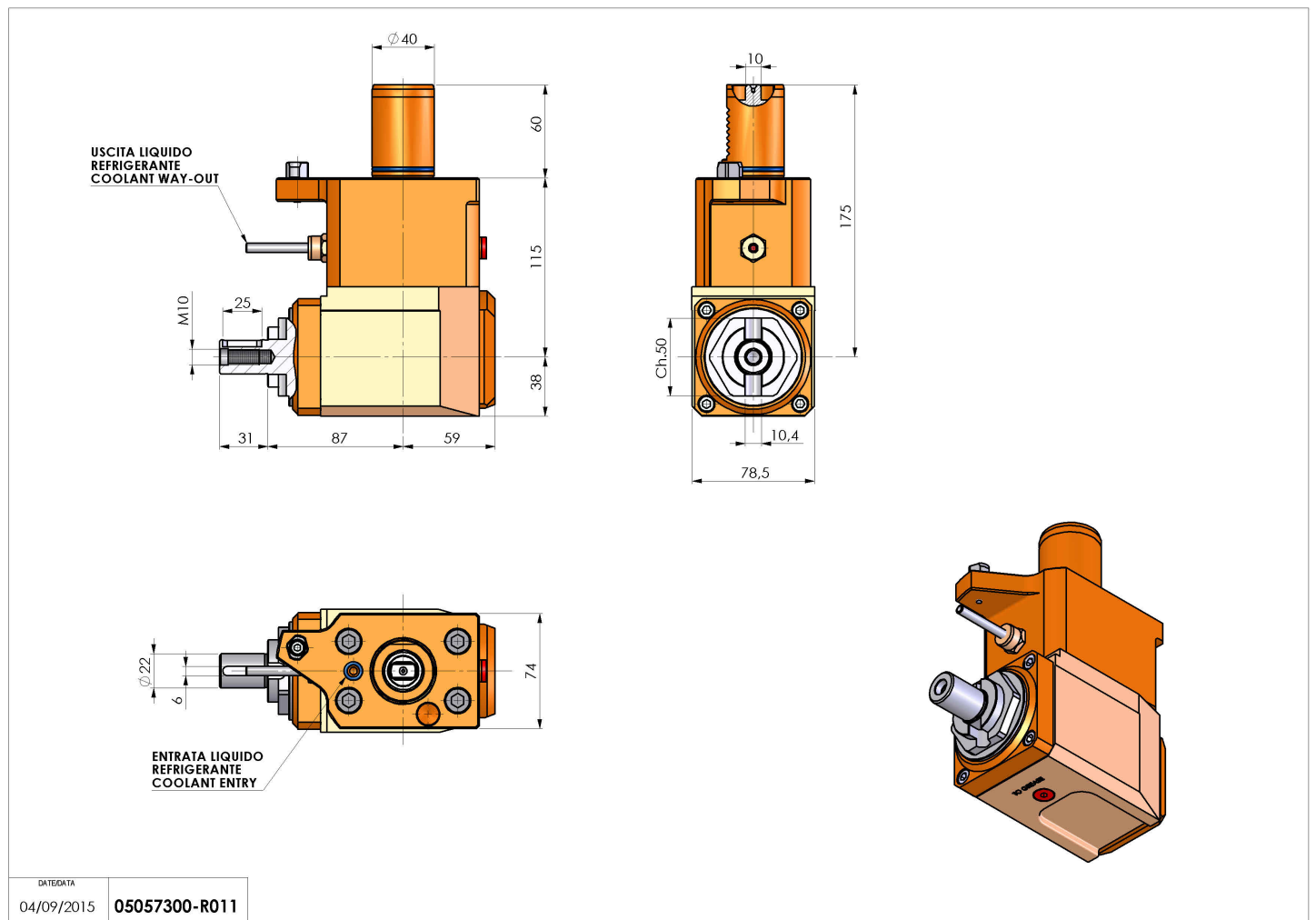
## 05057300 - LT-A VDI40 DIN22 H115 MLTX MZ

Type	LT-A Tool holder angle 90°
Mounting	VDI 40
Tool output	Shell-Mill DIN138 22
Coolant	External coolant
Direction of rotation	r1 ↻ r2 ↻
Max speed [rpm]	6000
Max torque [Nm]	63
Ratio	1:1
H [mm]	115
H1 [mm]	38
Accessories	N.A.
Notes	N.A.
Mounting tips	N.A.



**ATTENTION: CHECK THE ORIENTATION OF THE VDI TEETH**

Always check live tool dimensions on the turret



Subject to technical changes