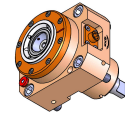
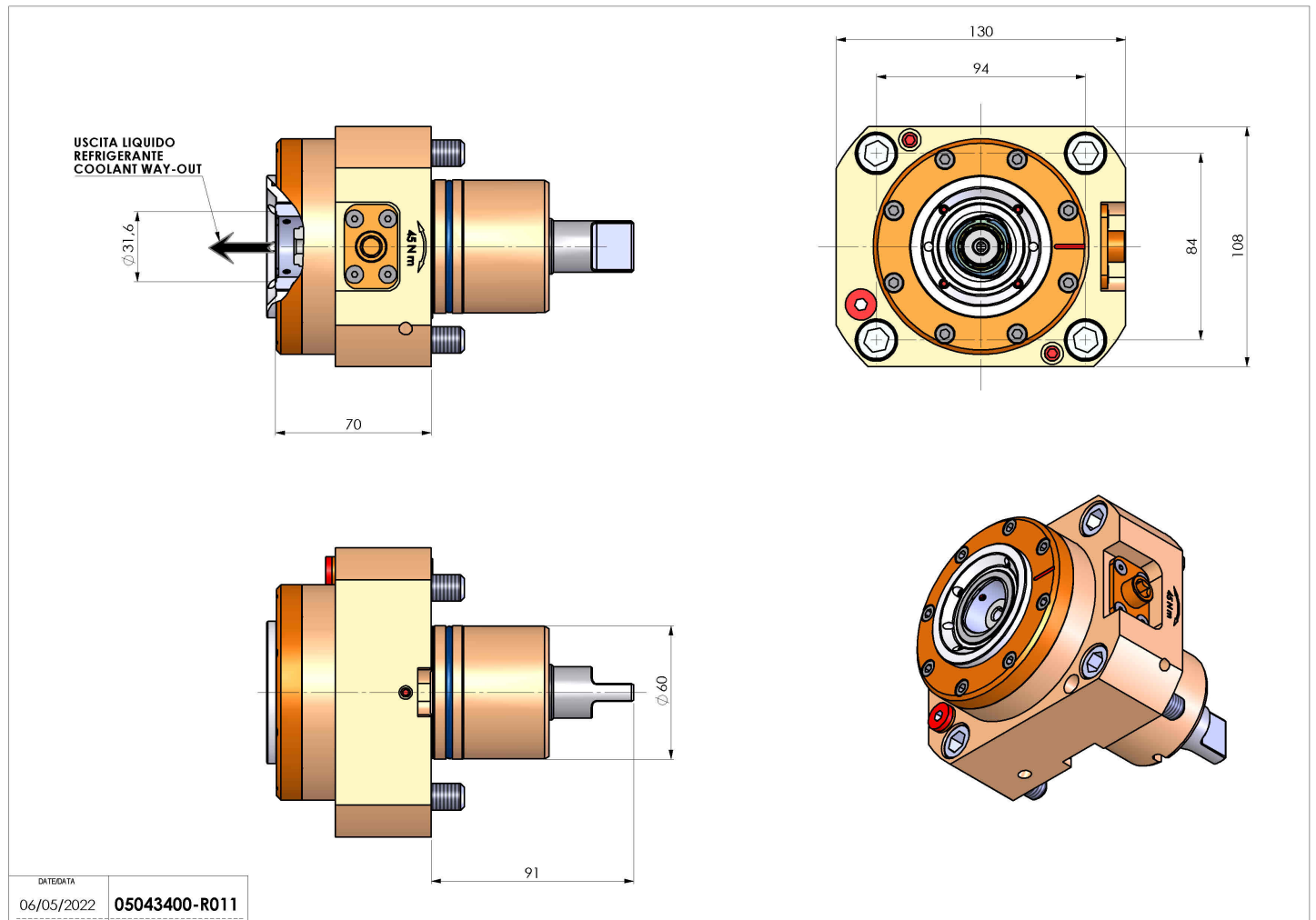


05043400 - LT-S D60 C40 HRF H70

Type	LT-S Tool holder straight
Mounting	CYLINDRICAL SHANK 60
Tool output	Polygonal shank C40 ISO 26623-1
Coolant	HRF Internal coolant
Direction of rotation	r1 ↻ r2 ↻
Max speed [rpm]	12000
Max torque [Nm]	80
Ratio	1:1
H [mm]	70
Max pressure [bar]	70
Accessories	N.A.
Notes	N.A.
Mounting tips	N.A.



Always check live tool dimensions on the turret



Subject to technical changes