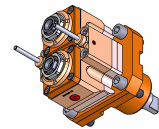
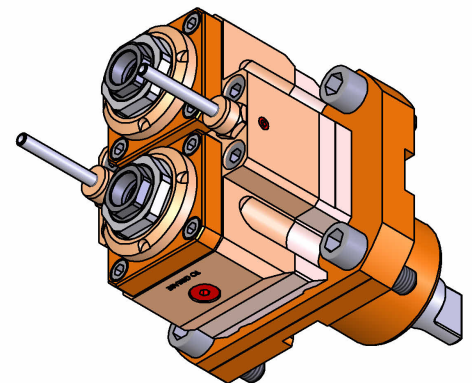
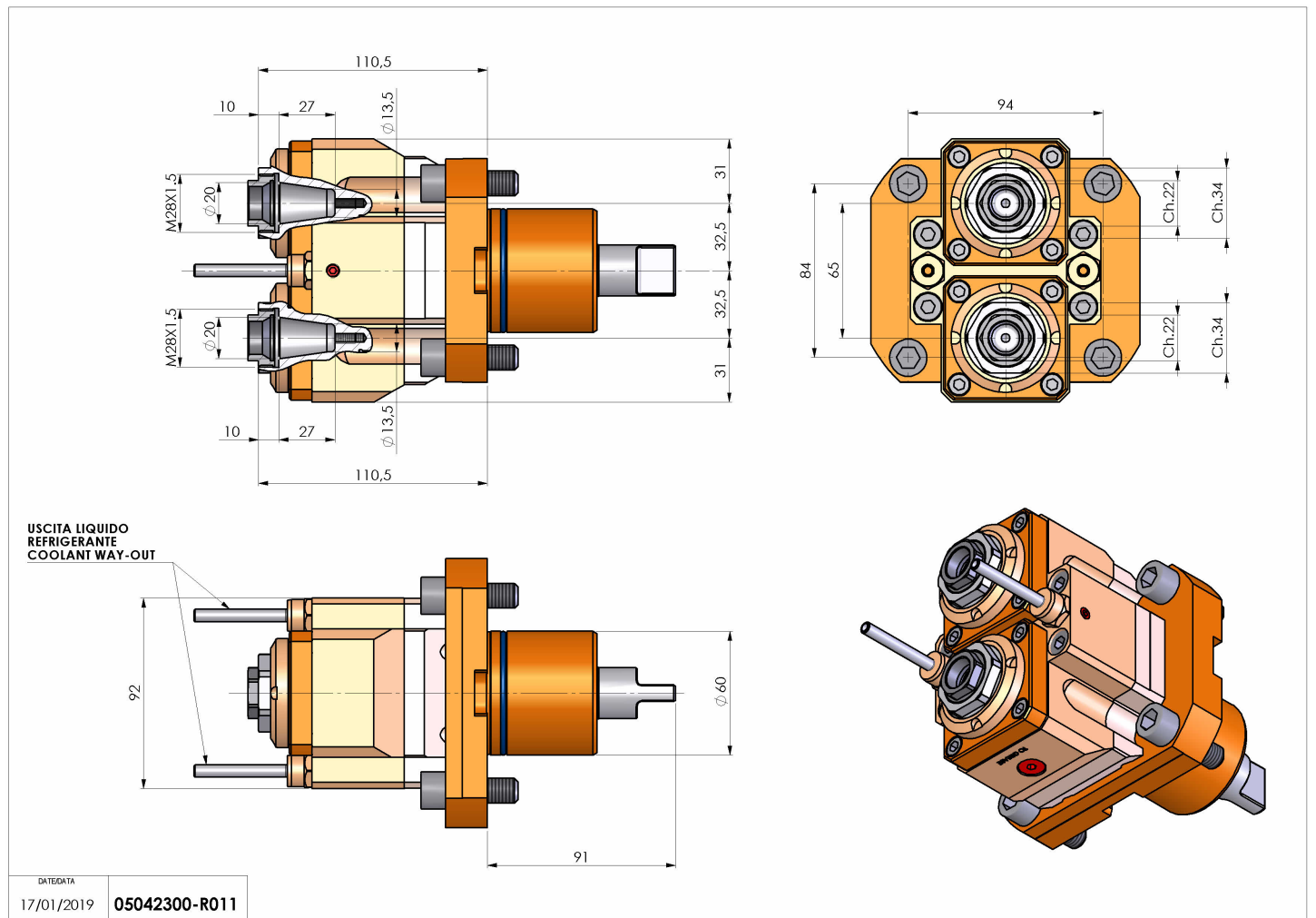


05042300 - LT-S2 D60 ER20F-20F 1:1 HSH111

Type	LT-S2 Tool holder double straight
Mounting	CYLINDRICAL SHANK 60
Tool output	Collet nut ER 20 F - internal nut
Coolant	External coolant
Direction of rotation	r1 ↻ r2 ↻ r3 ↻
Max speed [rpm]	10000
Max torque [Nm]	38
Ratio	1:1
H [mm]	110
Accessories	N.A.
Notes	N.A.
Mounting tips	N.A.



Always check live tool dimensions on the turret



Subject to technical changes

DATE/DATA
17/01/2019 05042300-R011