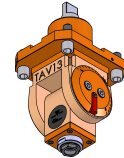
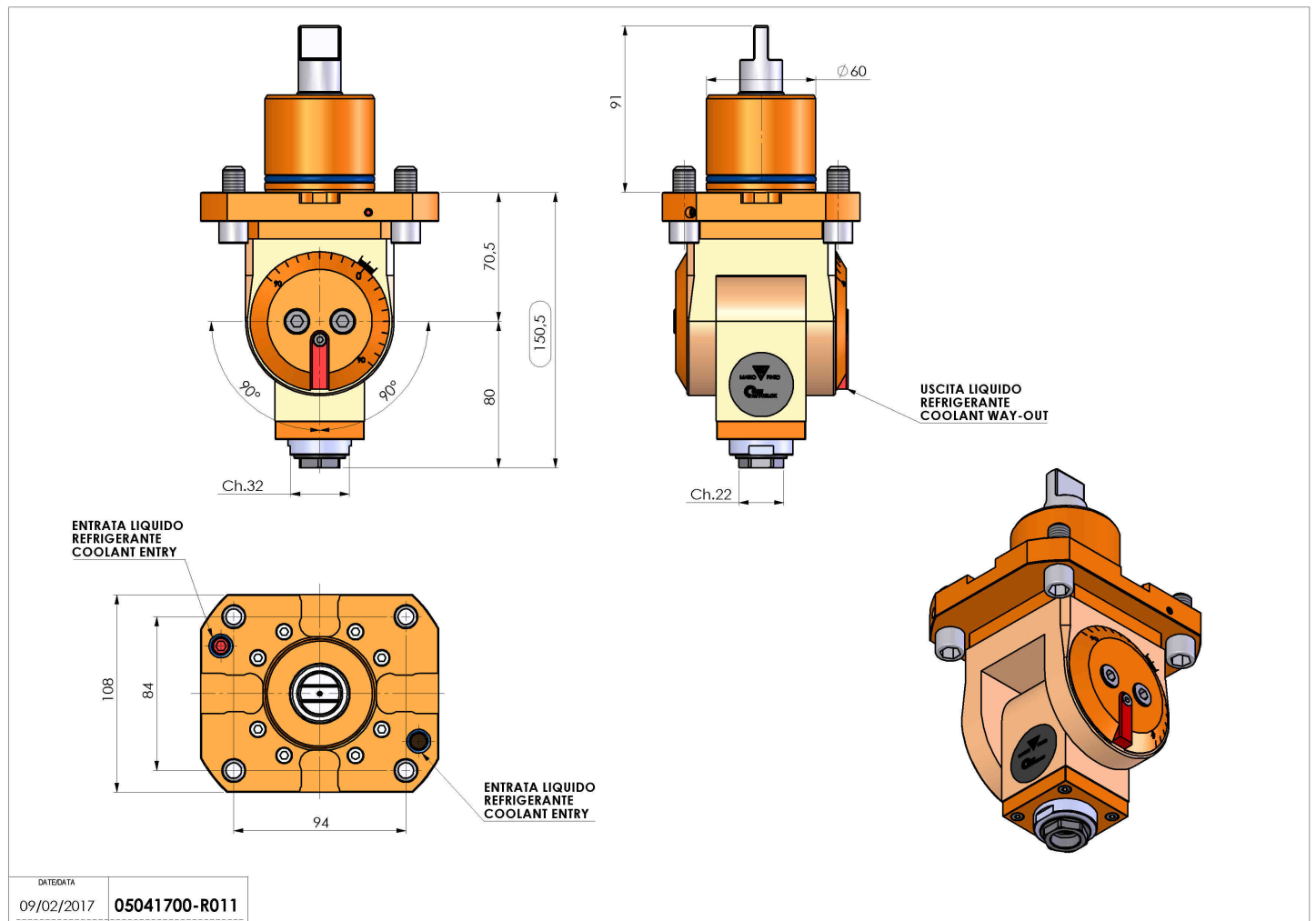


# 05041700 - LT-T D60 ER20F H70-151 MS

<b>Type</b>	LT-T Tool holder tiltable
<b>Mounting</b>	CYLINDRICAL SHANK 60
<b>Tool output</b>	Collet nut ER 20 F - internal nut
<b>Coolant</b>	External coolant
<b>Direction of rotation</b>	r1 ↻ r2 ↻
<b>Max speed [rpm]</b>	6000
<b>Max torque [Nm]</b>	20
<b>Ratio</b>	1:1
<b>H [mm]</b>	70-151
<b>Accessories</b>	N.A.
<b>Notes</b>	N.A.
<b>Mounting tips</b>	N.A.



Always check live tool dimensions on the turret



DATE/DATE: 09/02/2017  
05041700-R011

Subject to technical changes