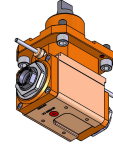
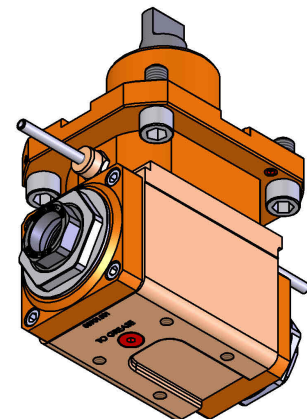
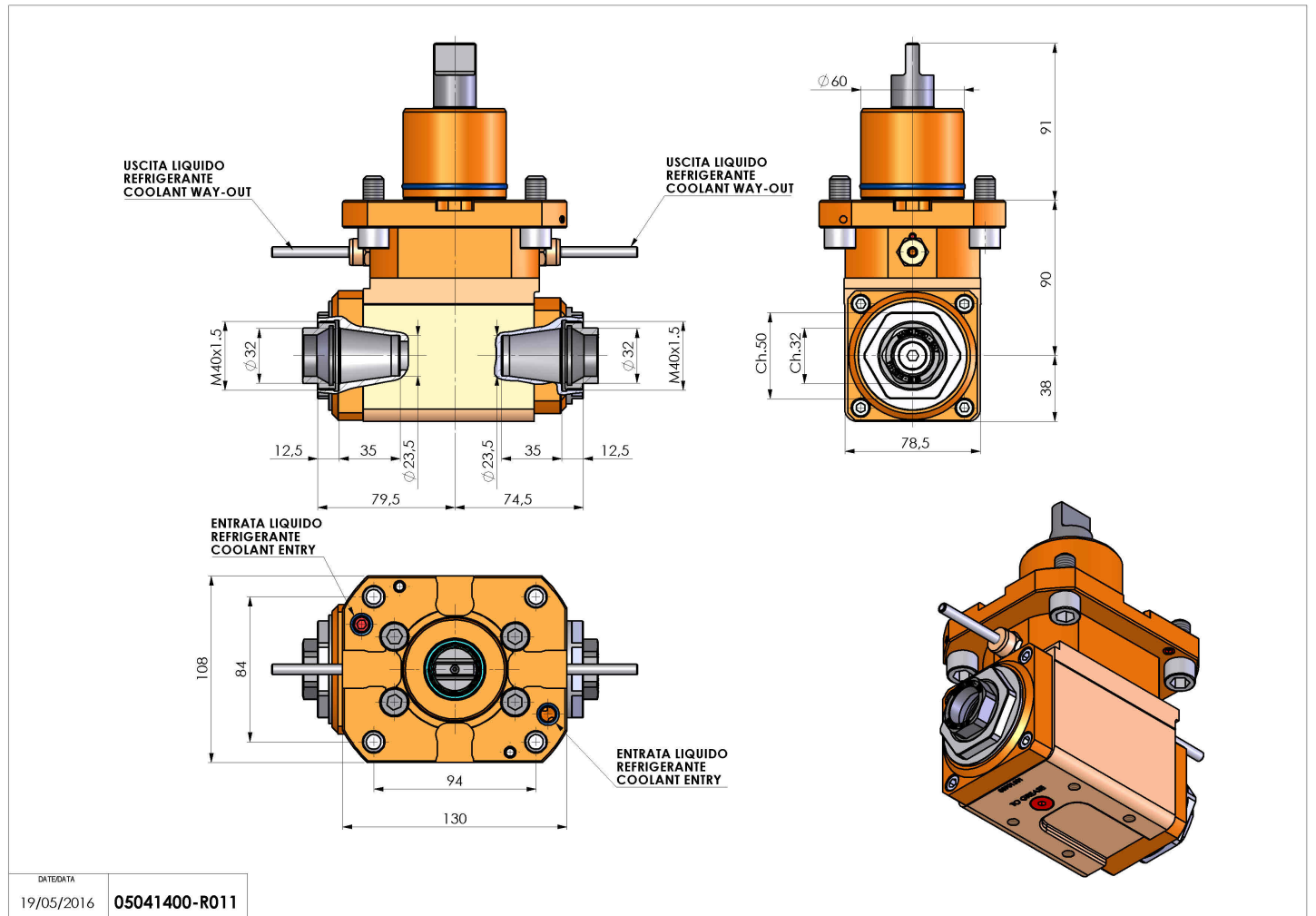


05041400 - LT-A D60 ER32F-32F L-R H90

| | |
|------------------------------|--|
| Type | LT-A DBL Tool holder double angle 90° |
| Mounting | CYLINDRICAL SHANK 60 |
| Tool output | Collet nut ER 32 F - internal nut |
| Coolant | External coolant |
| Direction of rotation | r1 ↻ r2 ↻ r3 ↻ |
| Max speed [rpm] | 6000 |
| Max torque [Nm] | 63 |
| Ratio | 1:1 |
| H [mm] | 90 |
| H1 [mm] | 37,5 |
| Accessories | N.A. |
| Notes | N.A. |
| Mounting tips | N.A. |



Always check live tool dimensions on the turret



Subject to technical changes

DATE/DATE
19/05/2016 05041400-R011