

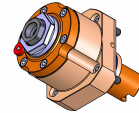
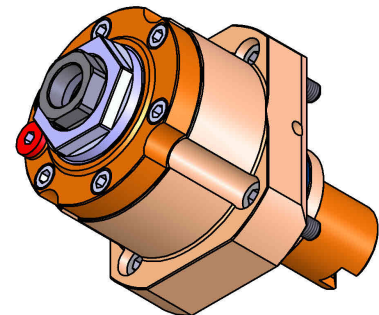
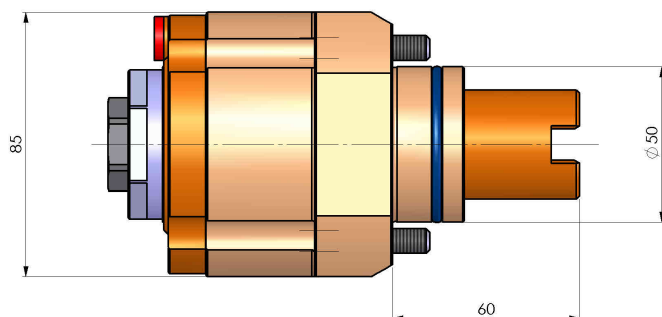
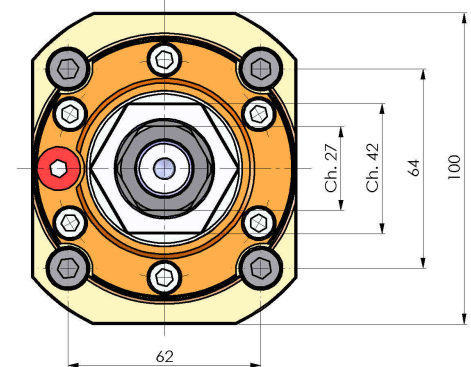
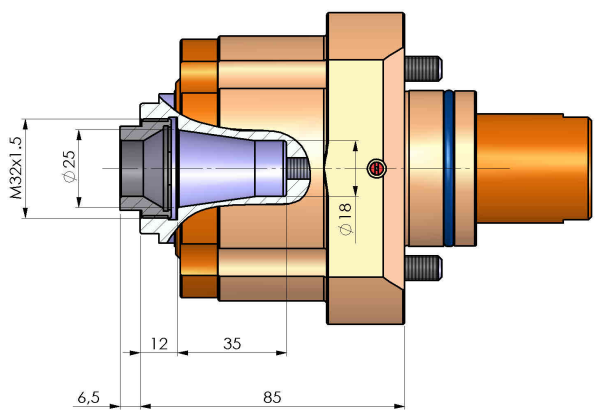


05037500 - LT-S D50 ER25F RF H85

Type	LT-S Tool holder straight
Mounting	CYLINDRICAL SHANK 50
Tool output	Collet nut ER 25 F - internal nut
Coolant	Internal coolant
Direction of rotation	r1  r2 
Max speed [rpm]	6000
Max torque [Nm]	63
Ratio	1:1
H [mm]	75
Max pressure [bar]	20
Accessories	N.A.
Notes	N.A.
Mounting tips	N.A.



Always check live tool dimensions on the turret



DATE/DATA
09/07/2015 05037500-R011

Subject to technical changes