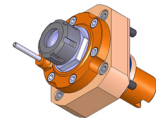
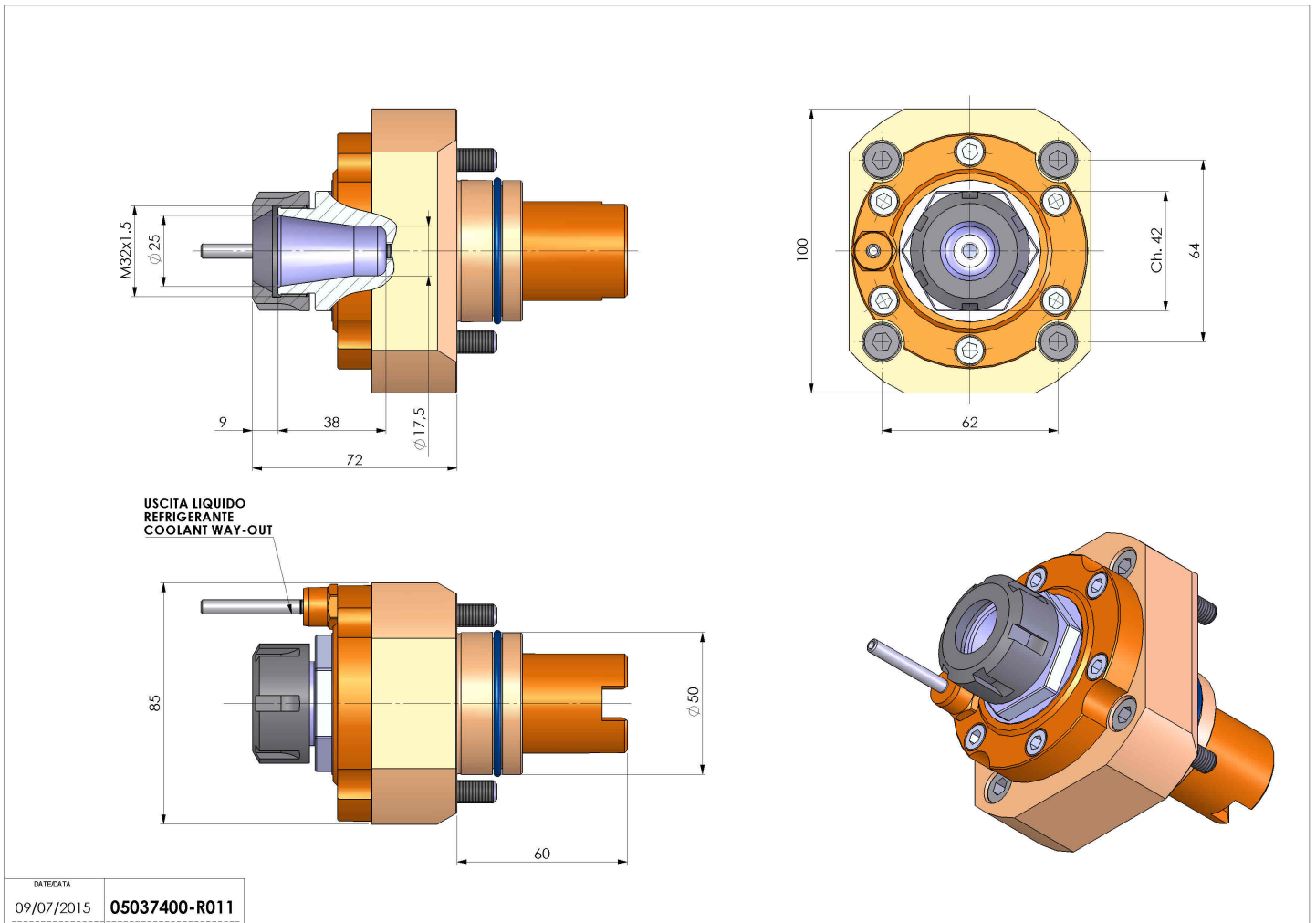


05037400 - LT-S D50 ER25 H72 TW

Type	LT-S Tool holder straight
Mounting	CYLINDRICAL SHANK 50
Tool output	Collet nut ER 25
Coolant	External coolant
Direction of rotation	r1 ↻ r2 ↻
Max speed [rpm]	6000
Max torque [Nm]	63
Ratio	1:1
H [mm]	72
Accessories	
Notes	N.A.
Mounting tips	N.A.



Always check live tool dimensions on the turret



DATE/DATA	09/07/2015
	05037400-R011

Subject to technical changes