

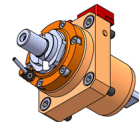
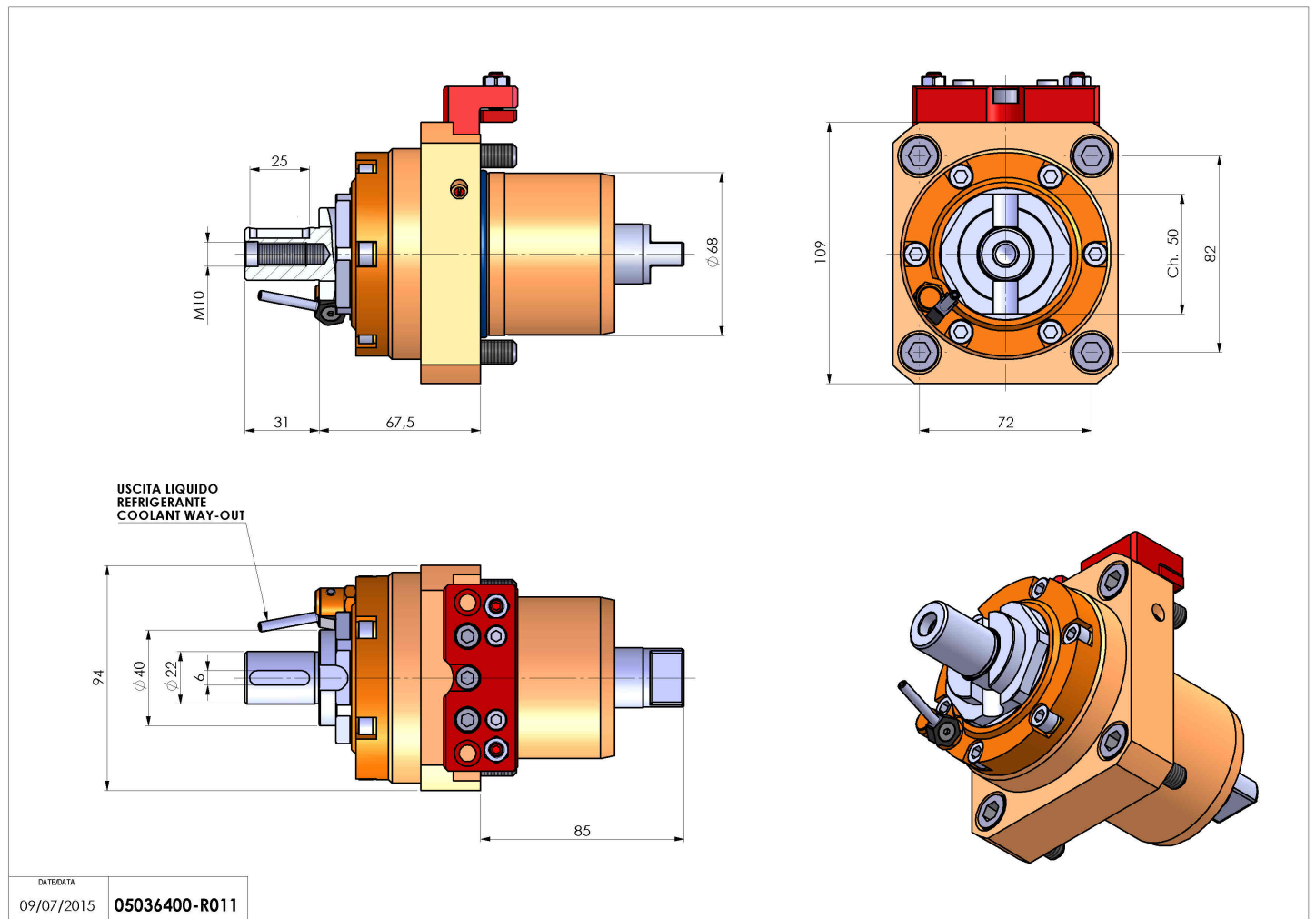


05036400 - LT-S D68 DIN138-22 H68 TWJ

| | |
|------------------------------|---------------------------------------------------------------------------------------------------------------------------------------------------------------------------|
| Type | LT-S Tool holder straight |
| Mounting | CYLINDRICAL SHANK 68 |
| Tool output | Shell-Mill DIN138 22 |
| Coolant | External coolant |
| Direction of rotation | r1  r2  |
| Max speed [rpm] | 6000 |
| Max torque [Nm] | 63 |
| Ratio | 1:1 |
| H [mm] | 68 |
| Accessories | |
| Notes | N.A. |
| Mounting tips | N.A. |



Always check live tool dimensions on the turret



DATE/DATE
09/07/2015 05036400-R011

Subject to technical changes