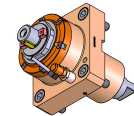
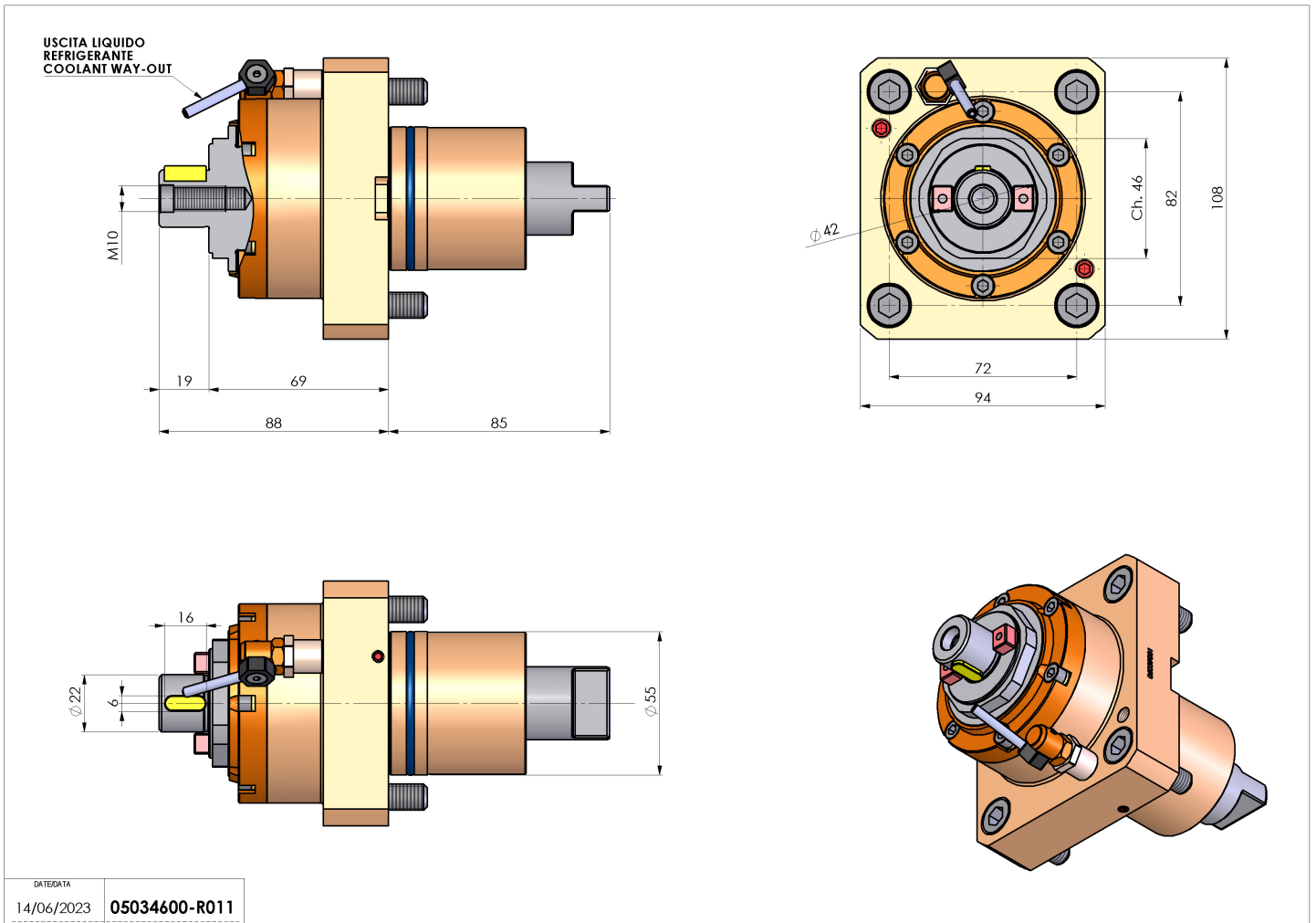


05034600 - LT-S D55 P-FRES D22 H69 SPEC

Type	LT-S Tool holder straight
Mounting	CYLINDRICAL SHANK 55
Tool output	Shell mill holder
Coolant	External coolant
Direction of rotation	r1 r2
Max speed [rpm]	6000
Max torque [Nm]	63
Ratio	1:1
H [mm]	69
Accessories	N.A.
Notes	N.A.
Mounting tips	N.A.



Always check live tool dimensions on the turret



Subject to technical changes