
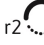
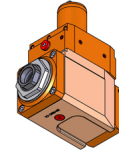


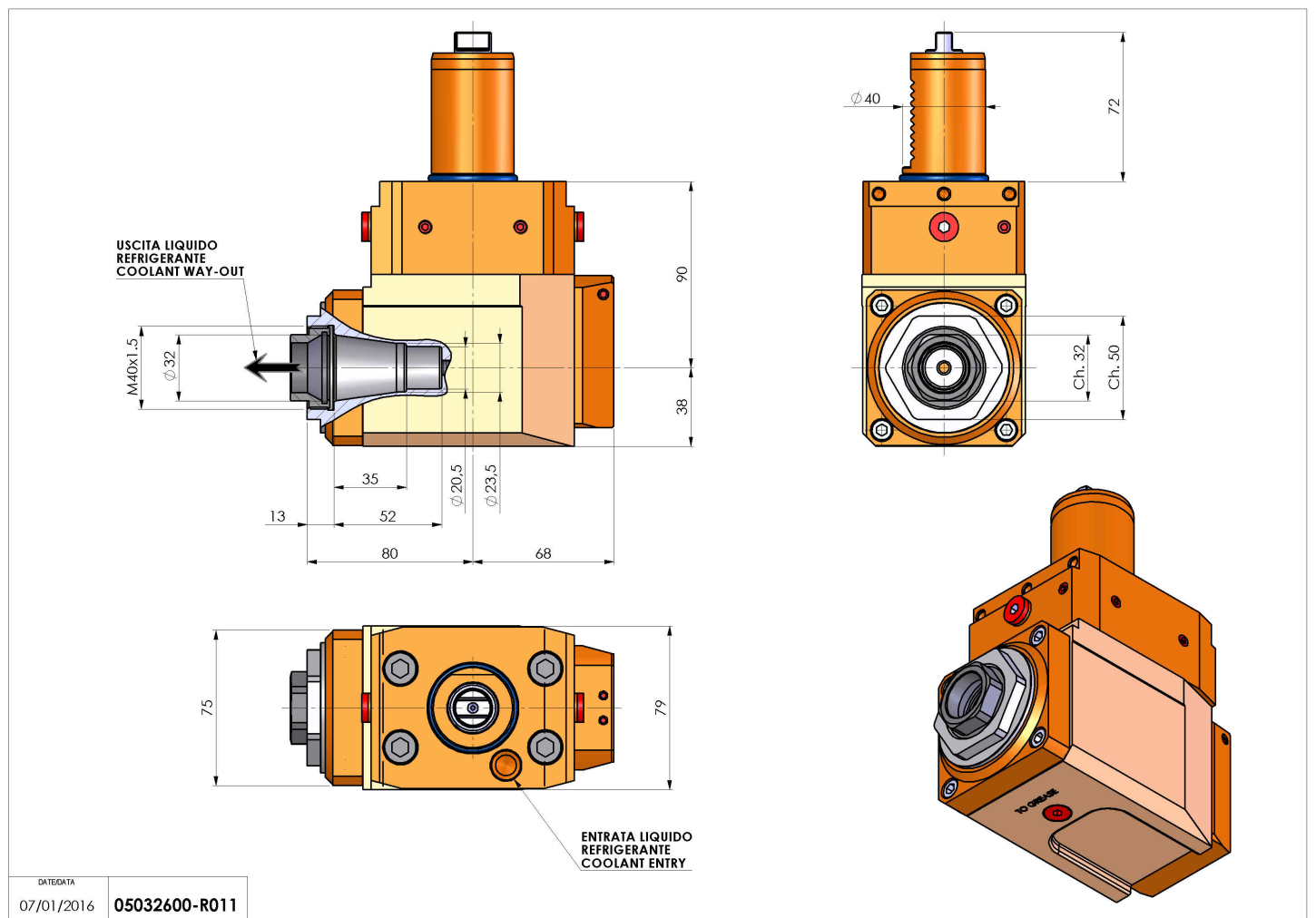
# 05032600 - LT-A VDI40 ER32F L RF H90 TW

|                       |   |
|-----------------------|---|
| Type                  | LT-A<br>Tool holder angle 90°   |
| Mounting              | VDI 40  |
| Tool output           | Collet nut ER 32 F - internal nut   |
| Coolant               | Internal coolant  |
| Direction of rotation | r1  r2  |
| Max speed [rpm]       | 6000  |
| Max torque [Nm]       | 63  |
| Ratio                 | 1:1   |
| H [mm]                | 90  |
| H1 [mm]               | 38  |
| Max pressure [bar]    | 20  |
| Accessories           | N.A.  |
| Notes                 | N.A.  |
| Mounting tips         | Main spindle only   |



**ATTENTION: CHECK THE ORIENTATION OF THE VDI TEETH**

Always check live tool dimensions on the turret



DATE/DATE  
07/01/2016 **05032600-R011**

Subject to technical changes