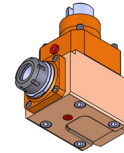
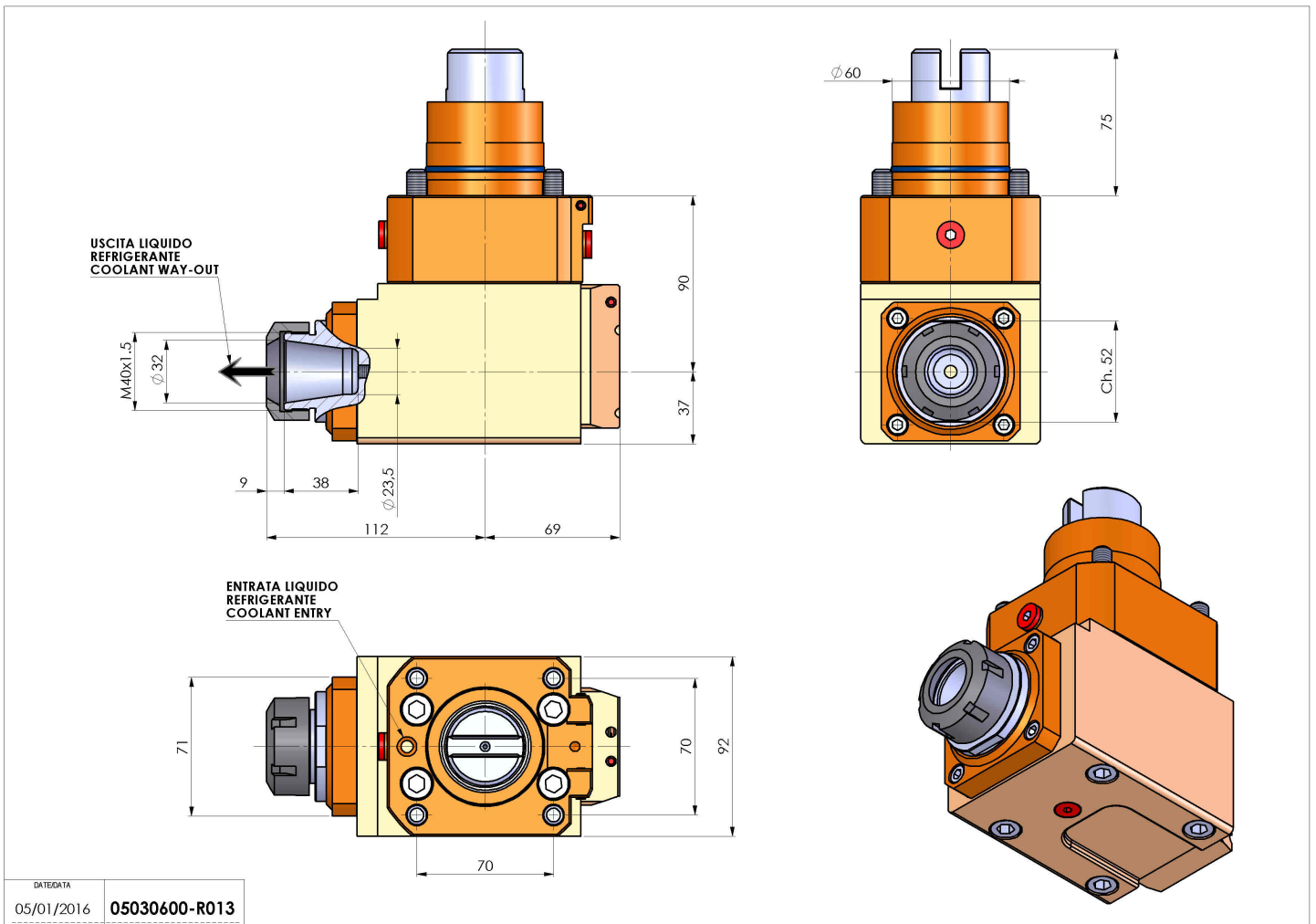


# 05030600 - LT-A D60 ER32 R RF H90 TW

<b>Type</b>	LT-A Tool holder angle 90°
<b>Mounting</b>	CYLINDRICAL SHANK 60
<b>Tool output</b>	Collet nut ER 32
<b>Coolant</b>	Internal coolant
<b>Direction of rotation</b>	r1 ↻ r2 ↻
<b>Max speed [rpm]</b>	6000
<b>Max torque [Nm]</b>	63
<b>Ratio</b>	1:1
<b>H [mm]</b>	90
<b>H1 [mm]</b>	37
<b>Max pressure [bar]</b>	20
<b>Accessories</b>	N.A.
<b>Notes</b>	
<b>Mounting tips</b>	Secondary spindle only



Always check live tool dimensions on the turret



DATE/DATA	05/01/2016	05030600-R013
-----------	------------	---------------

Subject to technical changes