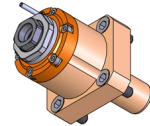
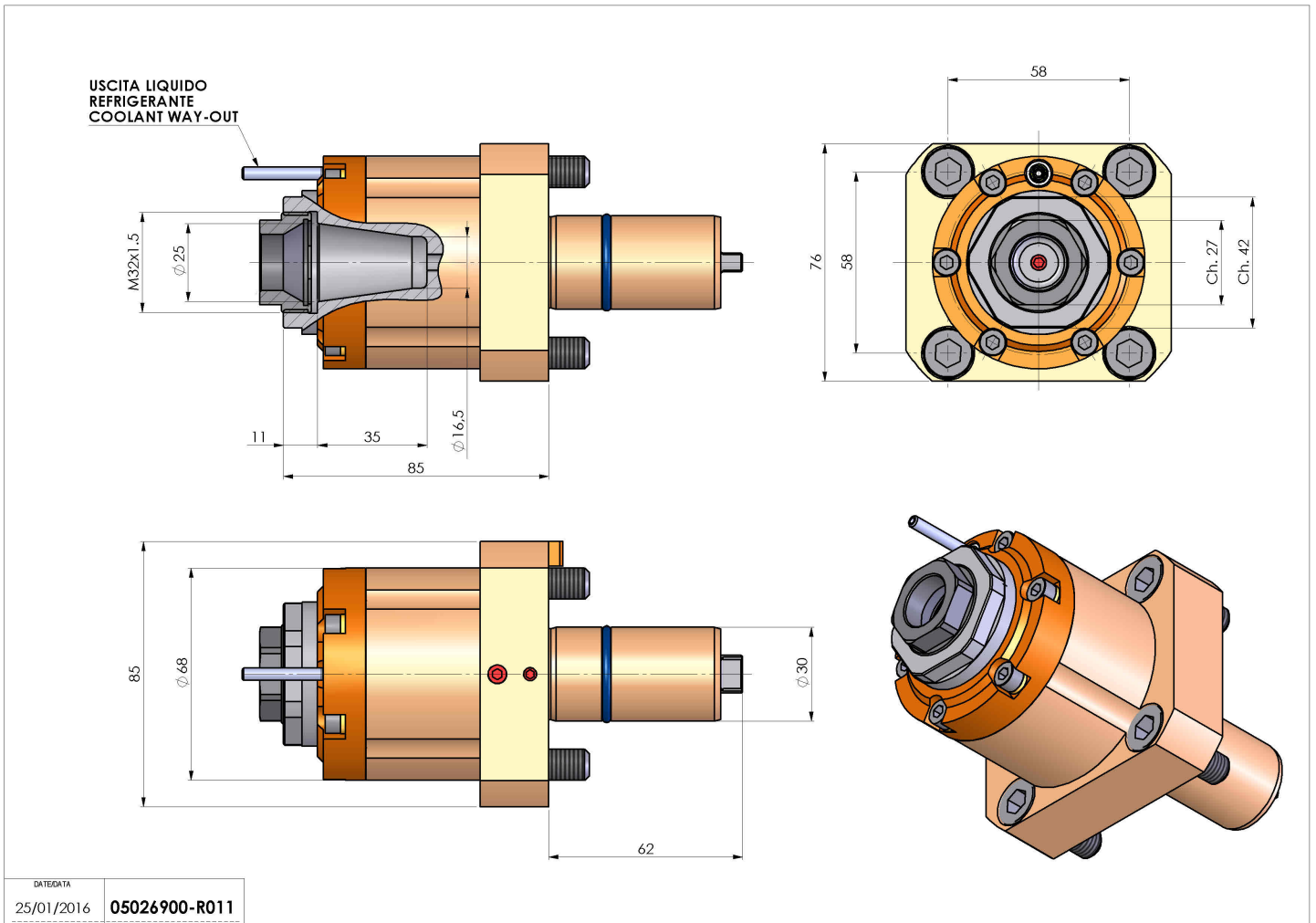


05026900 - LT-S D30 ER25F H85 TZ

Type	LT-S Tool holder straight
Mounting	CYLINDRICAL SHANK 30
Tool output	Collet nut ER 25 F - internal nut
Coolant	External coolant
Direction of rotation	r1 r2
Max speed [rpm]	6000
Max torque [Nm]	40
Ratio	1:1
H [mm]	85
Accessories	
Notes	N.A.
Mounting tips	N.A.



Always check live tool dimensions on the turret



DATE/DATA	25/01/2016
PART NUMBER	05026900-R011

Subject to technical changes