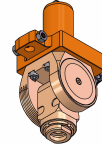


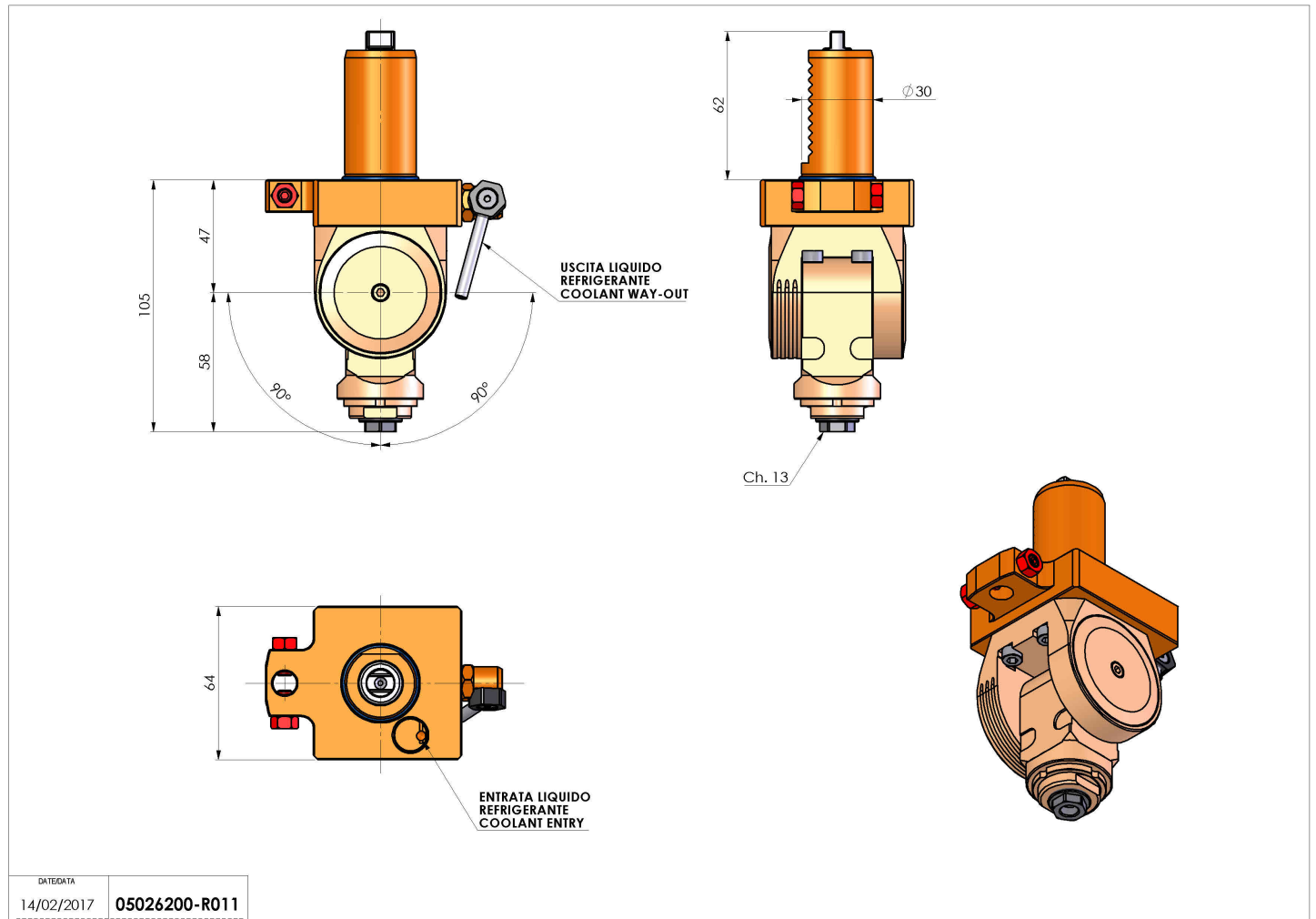
# 05026200 - LT-T VDI30 ER11F H47-105 TZ

Type	LT-T Tool holder tiltable
Mounting	VDI 30
Tool output	Collet nut ER 11 F
Coolant	External coolant
Direction of rotation	r1 ↻ r2 ↻
Max speed [rpm]	6000
Max torque [Nm]	5
Ratio	1:1
H [mm]	47-105
Accessories	N.A.
Notes	N.A.
Mounting tips	N.A.



**ATTENTION: CHECK THE ORIENTATION OF THE VDI TEETH**

Always check live tool dimensions on the turret



DATE/DATE	05026200-R011
14/02/2017	

Subject to technical changes