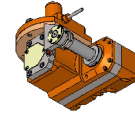


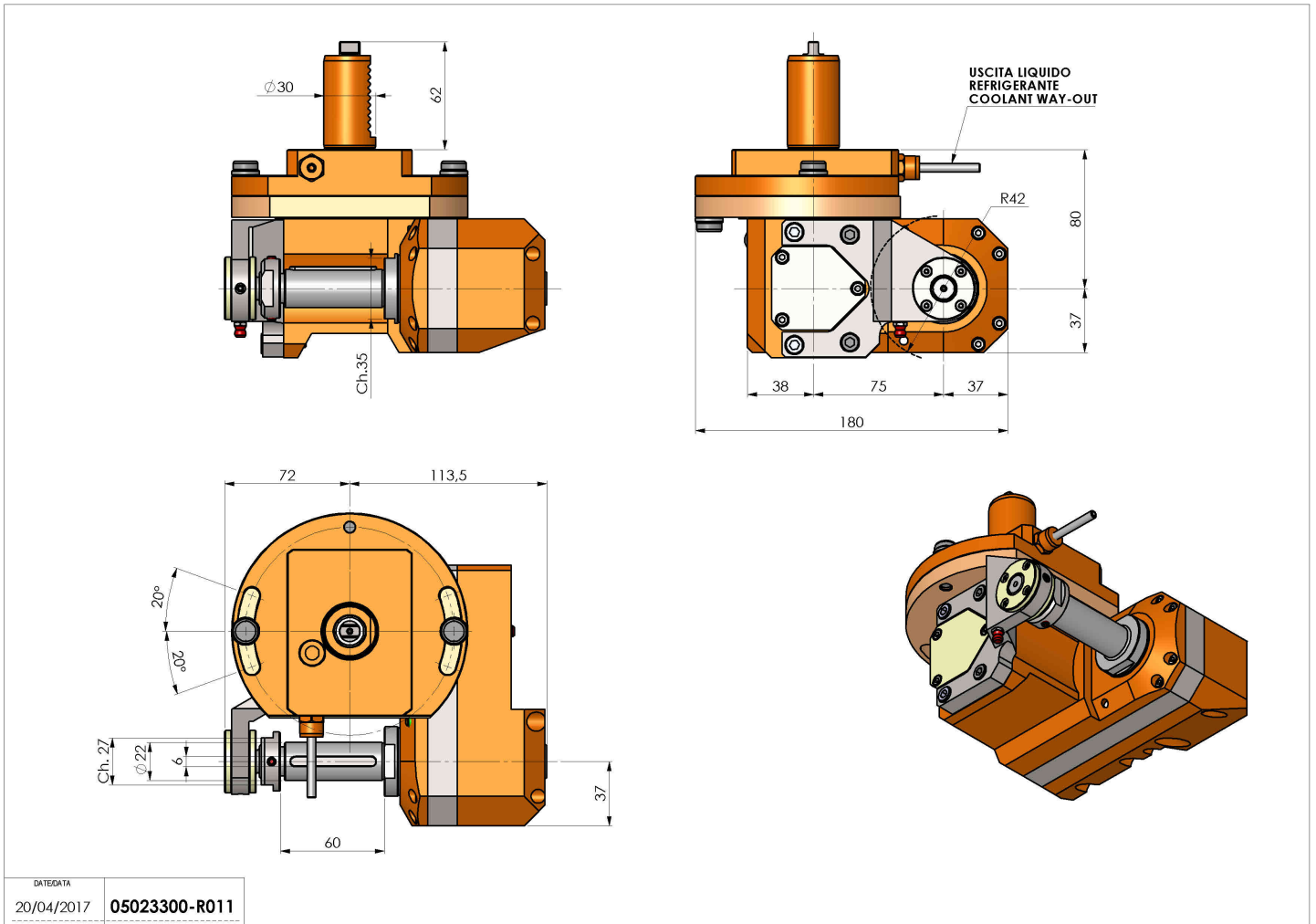
05023300 - LT-HOB-SAW VDI30 2,5:1 H80

Type	LT-HOB-SAW Hobbing/tool holder saw
Mounting	VDI 30
Tool output	Shank kit Ø16-Ø22-Ø27
Coolant	External coolant
Max speed [rpm]	in 6000 / out 2400
Max torque [Nm]	in 40 / out 100
Ratio	2,5:1
H [mm]	80
H1 [mm]	40
Accessories	N.A.
Notes	N.A.
Mounting tips	Main spindle only



ATTENTION: CHECK THE ORIENTATION OF THE VDI TEETH

Always check live tool dimensions on the turret



DATE/DATA	
20/04/2017	05023300-R011

Subject to technical changes