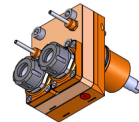
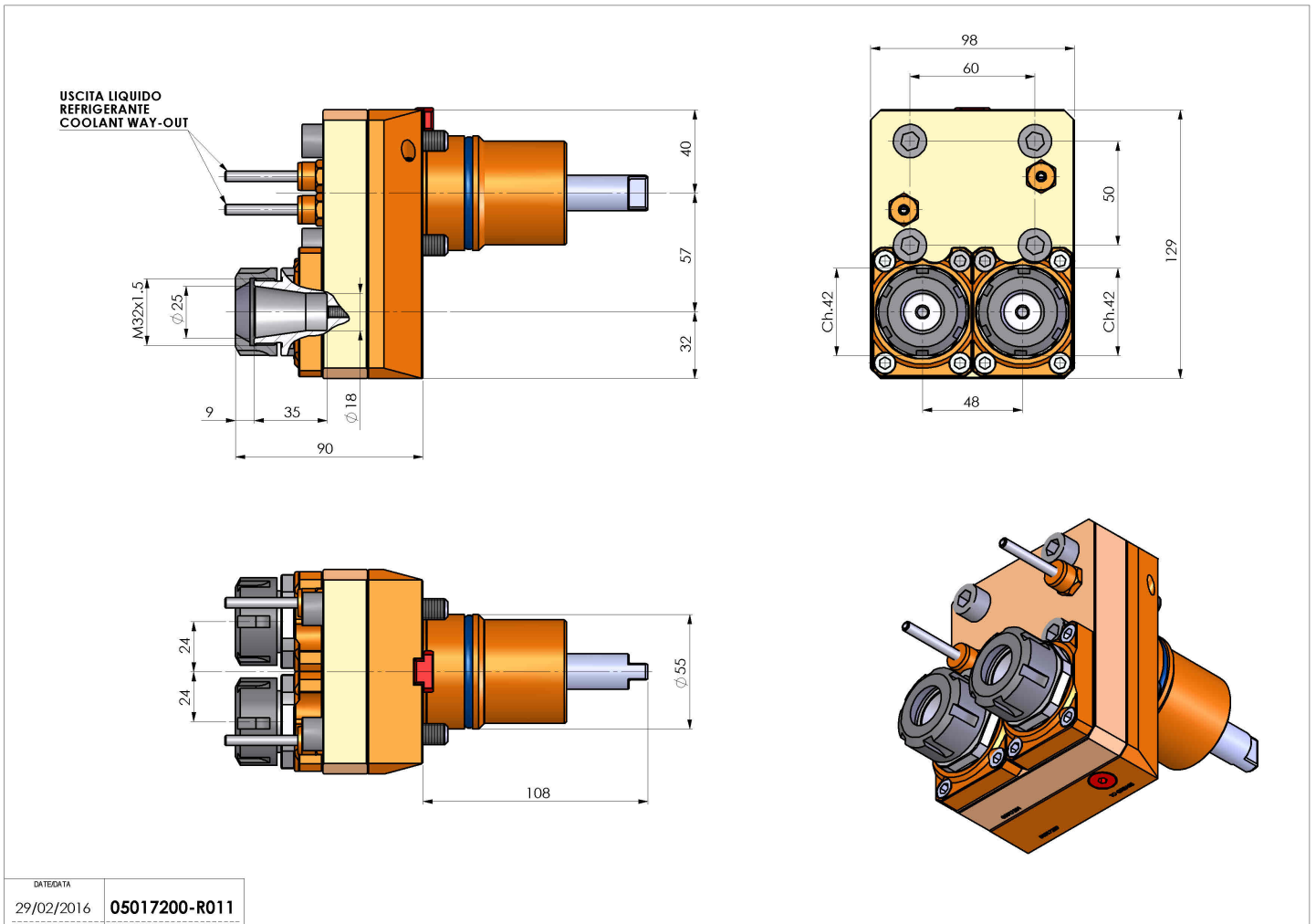


# 05017200 - LT-S2 D55 ER25 OFS-57 H90 NK

<b>Type</b>	LT-S2 OFS Tool holder double straight offset
<b>Mounting</b>	CYLINDRICAL SHANK 55
<b>Tool output</b>	Collet nut ER 25
<b>Coolant</b>	External coolant
<b>Offset [mm]</b>	57
<b>Direction of rotation</b>	r1 ↻ r2 ↻ r3 ↻
<b>Max speed [rpm]</b>	6000
<b>Max torque [Nm]</b>	40
<b>Ratio</b>	1:1
<b>H [mm]</b>	90
<b>Accessories</b>	N.A.
<b>Notes</b>	N.A.
<b>Mounting tips</b>	N.A.



Always check live tool dimensions on the turret



Subject to technical changes