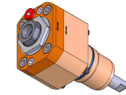
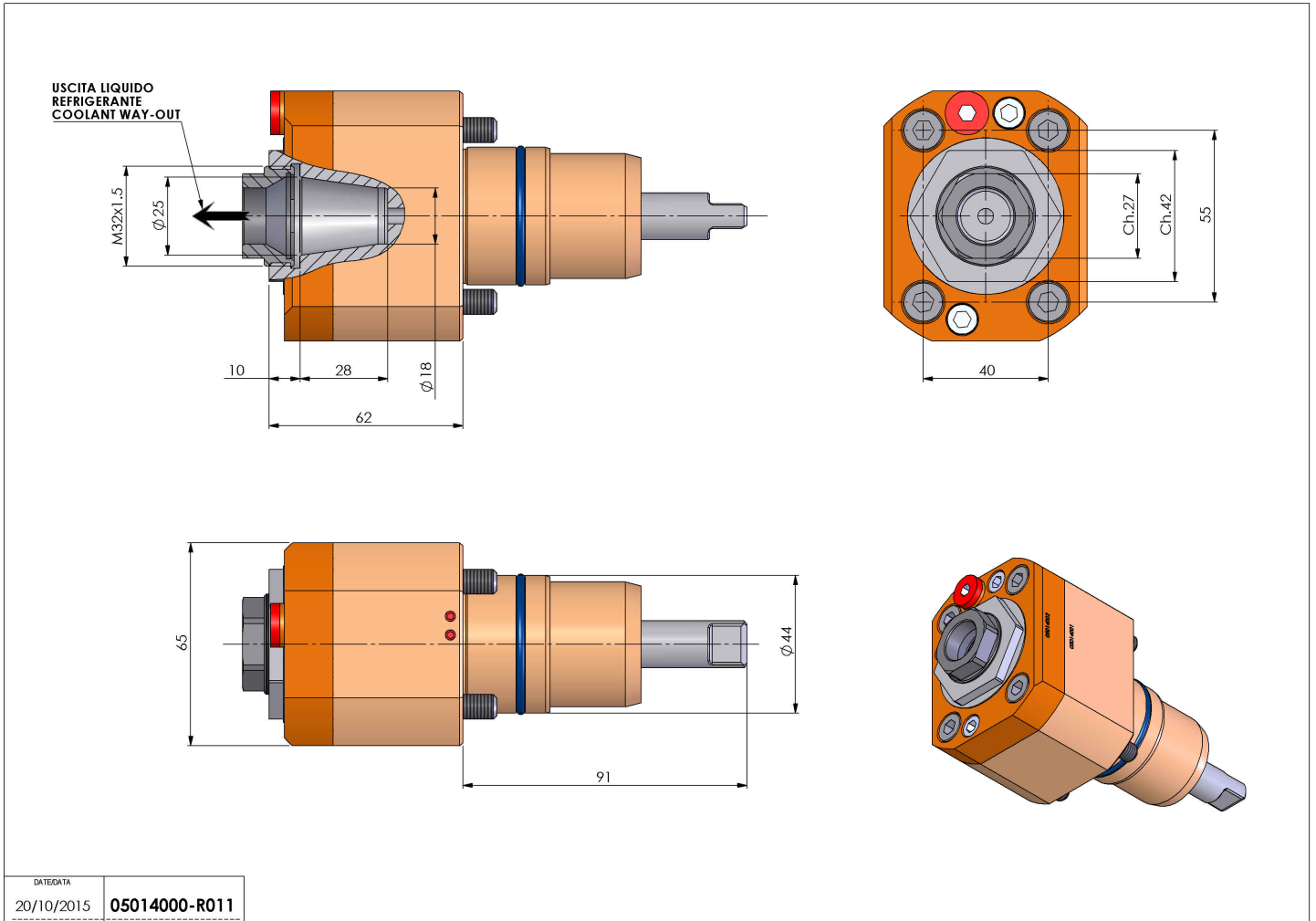


# 05014000 - LT-S D44 ER25F RF H62 NK

<b>Type</b>	LT-S Tool holder straight
<b>Mounting</b>	CYLINDRICAL SHANK 44
<b>Tool output</b>	Collet nut ER 25 F - internal nut
<b>Coolant</b>	Internal coolant
<b>Direction of rotation</b>	r1  r2
<b>Max speed [rpm]</b>	6000
<b>Max torque [Nm]</b>	40
<b>Ratio</b>	1:1
<b>H [mm]</b>	62
<b>Max pressure [bar]</b>	20
<b>Accessories</b>	
<b>Notes</b>	N.A.
<b>Mounting tips</b>	N.A.



Always check live tool dimensions on the turret



DATE/DATE	05014000-R011
20/10/2015	

Subject to technical changes