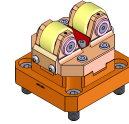
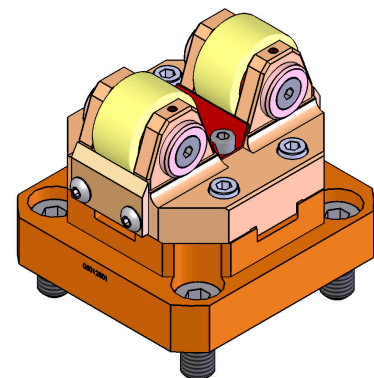
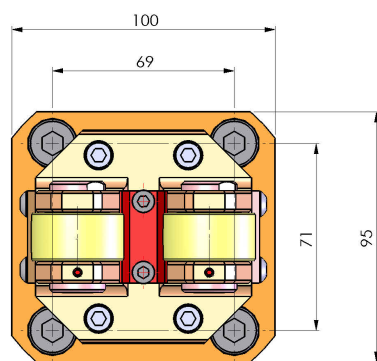
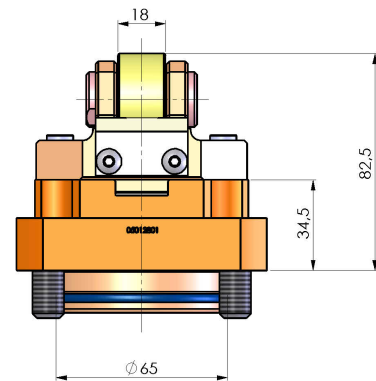
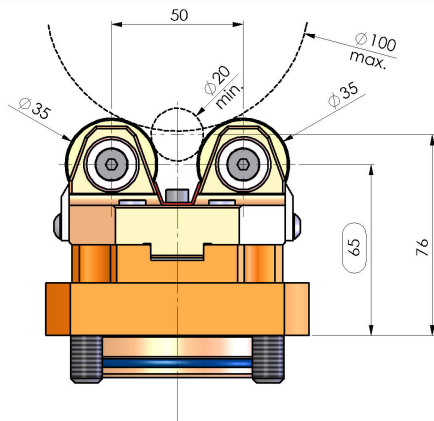


## 05012800 - SUPP ALB AX D20-100 D65 H65

<b>Type</b>	SHAFT SUPPORT Shaft support
<b>Mounting</b>	CYLINDRICAL SHANK 65
<b>Tool output</b>	Shaft support Ø20-Ø100
<b>Coolant</b>	N.A.
<b>H [mm]</b>	65
<b>Ø Min [mm]</b>	20
<b>Ø Max [mm]</b>	100
<b>Accessories</b>	N.A.
<b>Notes</b>	N.A.
<b>Mounting tips</b>	N.A.



Always check live tool dimensions on the turret



DATE/DATE	03/05/2021
	05012800-R011

Subject to technical changes