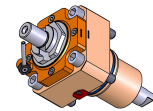
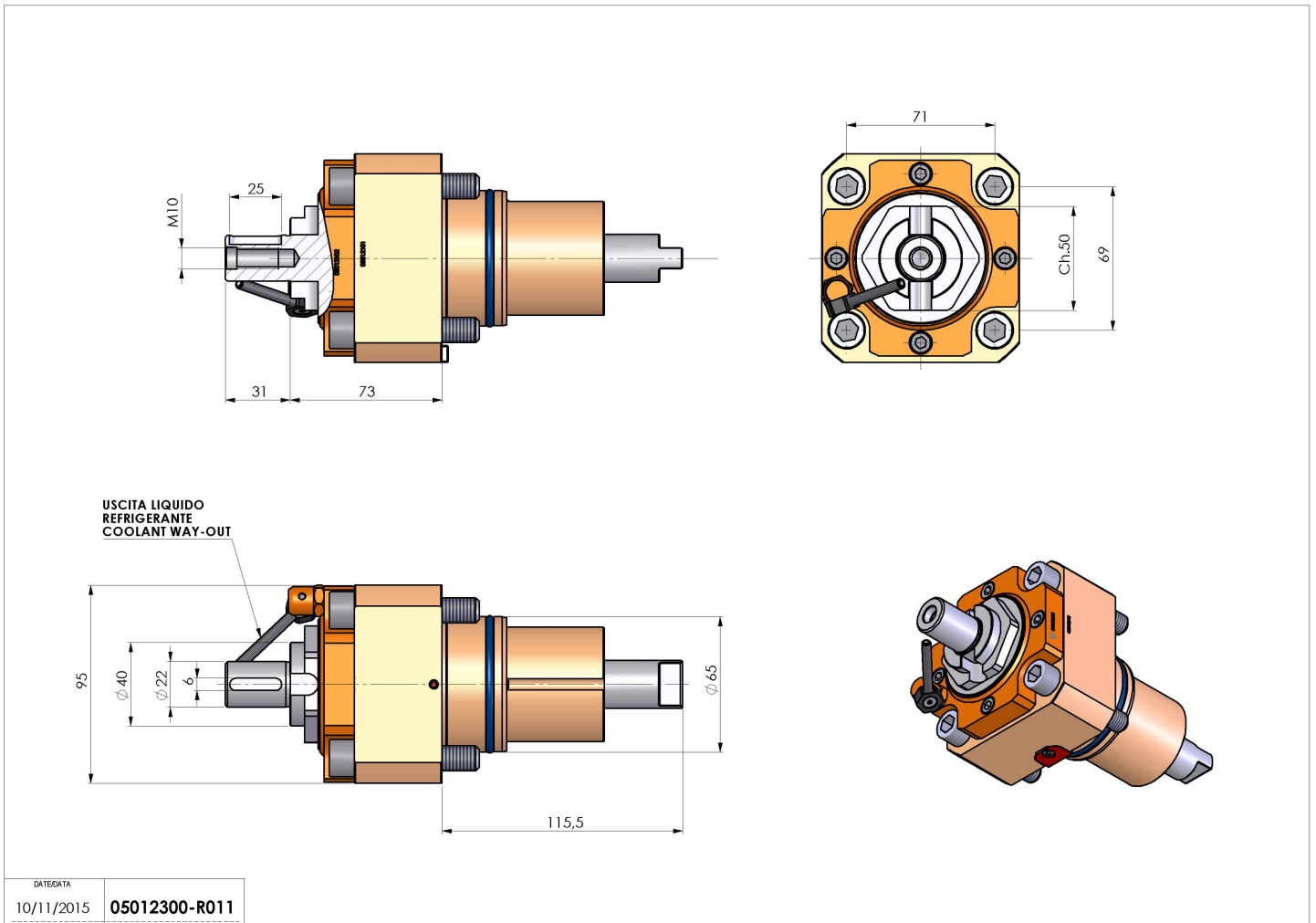


05012300 - LT-S D65 DIN138-22 H73 NK

Type	LT-S Tool holder straight
Mounting	CYLINDRICAL SHANK 65
Tool output	Shell-Mill DIN138 22
Coolant	External coolant
Direction of rotation	r1 r2
Max speed [rpm]	6000
Max torque [Nm]	63
Ratio	1:1
H [mm]	73
Accessories	
Notes	N.A.
Mounting tips	N.A.



Always check live tool dimensions on the turret



DATE/DATE	10/11/2015
PART NUMBER	05012300-R011

Subject to technical changes