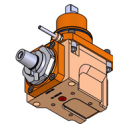
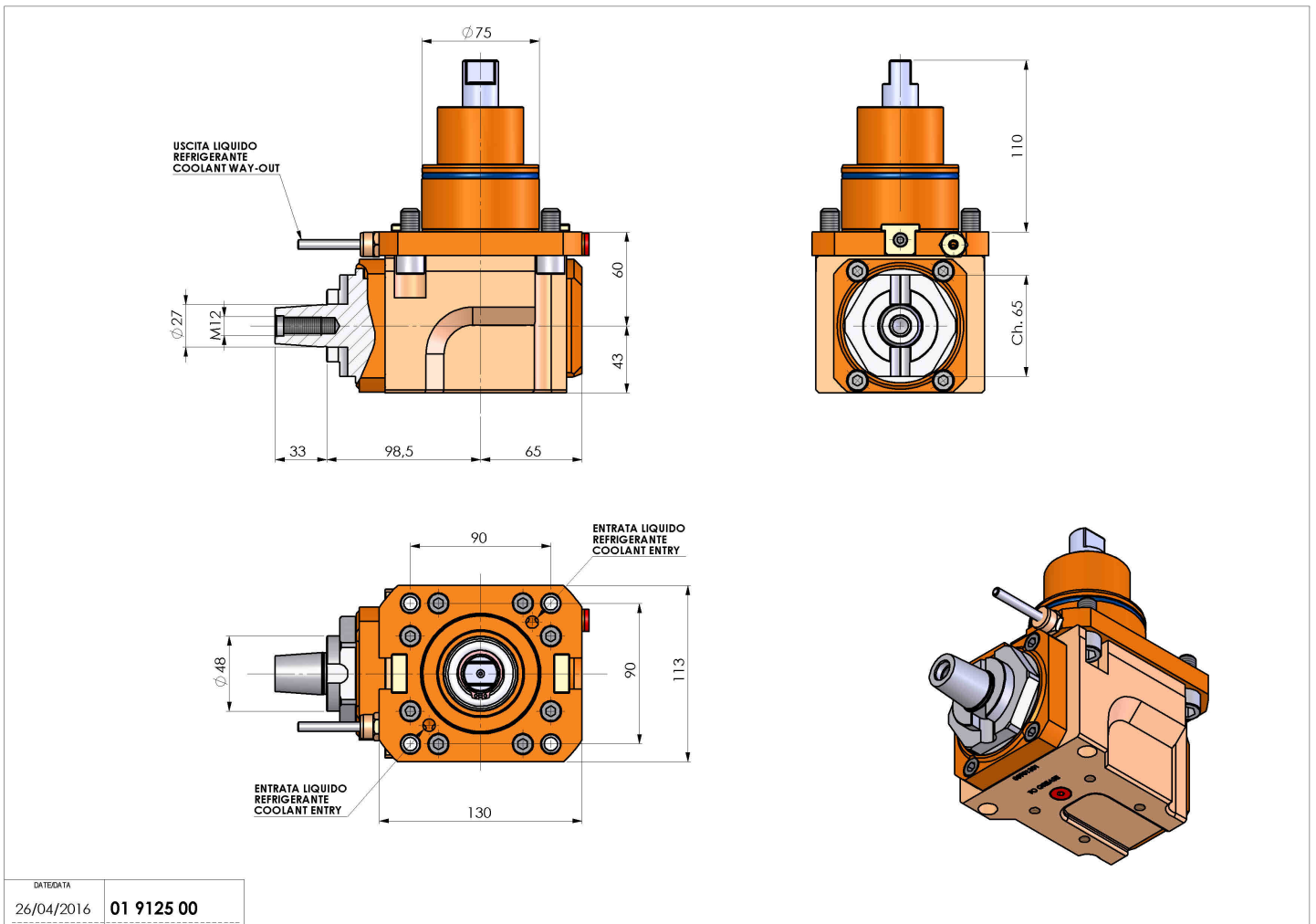


# 01912500 - LT-A BMT75 D27 CONICO 4 H60

<b>Type</b>	LT SPECIALE Custom tool holder
<b>Mounting</b>	BMT 75
<b>Tool output</b>	D27 CONIC 4°
<b>Coolant</b>	External coolant
<b>Direction of rotation</b>	r1  r2
<b>Max speed [rpm]</b>	4000
<b>Max torque [Nm]</b>	80
<b>Ratio</b>	1:1
<b>H [mm]</b>	60
<b>H1 [mm]</b>	43
<b>Accessories</b>	N.A.
<b>Notes</b>	N.A.
<b>Mounting tips</b>	N.A.



Always check live tool dimensions on the turret



DATE/DATE	01 9125 00
26/04/2016	

Subject to technical changes